

## The Leader in Low-Cost, Remote Monitoring Solutions

### Wireless Digital Compass

#### General Description

The wireless compass sensor uses a highly sensitive 3 axis digital compass to return the orientation of the device in regards to magnetic north. Great for tracking directional behavior and positioning.

- 3-Axis Magnetoresistive Sensors.
- North and East Calibration
- Heading Offset (for true north)



Free basic online wireless sensor monitoring and notification system to configure sensors, view data and set alerts via SMS text and email.

#### Principle of Operation

The Wireless Digital Compass uses a 3-Axis magnetoresistive sensor to accurately measure both the direction and the magnitude of Earth's magnetic fields. The sensor converts any incident magnetic field in the sensitive axis directions to a differential voltage output which the device then converts to directional information which is reported to the software. A heading offset can be applied via software to achieve true north readings. The software includes a North and East calibration option to improve heading accuracy.

Note: Because of variations in Earth's magnetic field, onsite calibration is required for optimal results.

#### Example Applications

- Digital Compass
- Device Orientation
- Device Directional Movement

And many more ...

#### Monnit Sensor Core Specifications

- Wireless Range: 250 - 300 ft. (non line-of-sight / indoors / through walls, ceilings & floors) \*
- Communication: RF 900, 920, 868 and 433 MHz
- Power: Replaceable batteries (optimized for long battery life) - Line-power (AA version) and solar (Industrial version) options available
- Battery Life (at 1 hour heartbeat setting) \*\*
  - AA battery > 4-8 years
  - Coin Cell > 2-3 years.
  - Industrial > 4-8 years

\* Actual range may vary depending on environment.

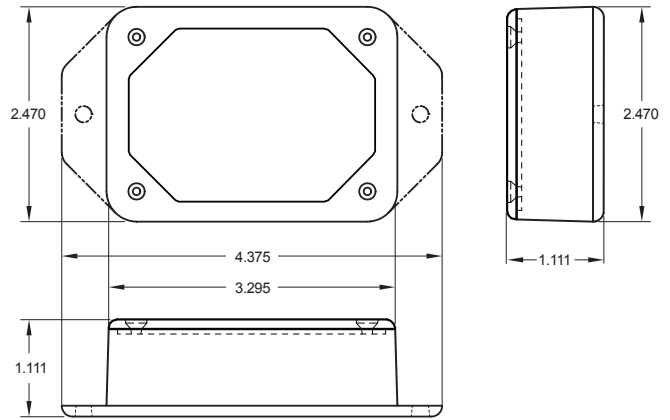
\*\* Battery life is determined by sensor reporting frequency and other variables.

#### Sensor Types & Options

Wireless Digital Compass (AA)

Wireless Digital Compass (Industrial)

## Wireless Digital Compass (AA)



### Technical Specifications

Supply Voltage	2.0 - 3.6 VDC (3.0 - 3.6 VDC Using Power Supply) *
Magnetic Dynamic Range	±1.3 Gauss
Measurement Period	106 msec typ.
Calibrated Accuracy	± 4° for calibrated North and East Headings (both North and East headings must be calibrated for specified accuracy)**
Gain Tolerance (Ambient, unbiased)	-40 to +125°C
Operating Temperature Range (Board Circuitry and Batteries)	-18°C to 55°C (0°F to 130°F) using alkaline -40°C to 85°C (-40°F to 185°F) using lithium **
Optimal Battery Temperature Range (AA)	+10°C to +50°C ( +50°F to +122°F )
Weight	3.6 oz.
Wireless Range	250 - 300 ft. (Indoors / Through walls, ceilings & floors) Range may vary according to environmental variables
Certifications	900 MHz product; FCC ID: ZTL- RFSC1 and IC: 9794A-RFSC1. 920 MHz product; ARIB STD-T108 R210-103733. 868 and 433 MHz product tested and found to comply with: CISPR 22:2008-09 / EN 55022:2010 - Class B and ETSI EN 300 220-2 V2.4.1 (2012-05).



\* At temperatures above 100°C, it is possible for the board circuitry to lose programmed memory.

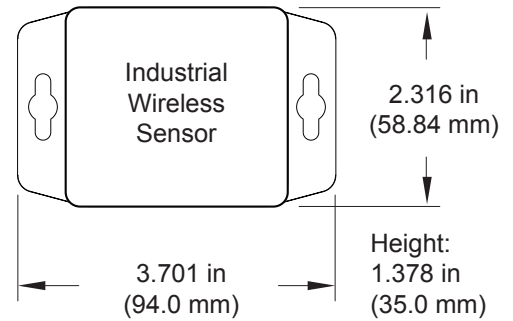
\*\* For optimal results calibrate in the immediate area in which the sensor will be used and based on magnetic North. Be aware that other magnetic / ferrous sources in the area can adversely affect readings. As the sensor rotates away from calibrated North and East headings the accuracy may drift.

### Power Options

Two replaceable 1.5V AA sized batteries are included with the standard model. A line-power version with battery backup is also available - allowing it to be powered by a standard 3.0 - 3.6V power supply and use the internal batteries if there is a power interruption.

Power options must be selected at time of purchase as the internal hardware of the sensor must be changed to support the selected power requirements.

# Wireless Digital Compass (Industrial)



## Technical Specifications

Supply Voltage	2.0 - 3.6 VDC *	
Magnetic Dynamic Range	±1.3 Gauss	
Measurement Period	106 msec typ.	
Calibrated Accuracy	± 4° for calibrated North and East Headings (both North and East headings must be calibrated for specified accuracy)**	
Gain Tolerance (Ambient, unbiased)	-40 to +125°C	
Operating Temperature Range (Board Circuitry and Battery)		
Included Battery	Max Temperature Range:	-40°C to +85°C ( -40°F to +185°F ) **
	Capacity:	1800 mAh
Optional Solar Feature	Solar Panel:	5VDC / 30mA (53mm x 30mm)
	Charging Temperature Range:	0° to 45°C (32° to 113°F)
	Max Temperature Range:	-20° to 60°C (-4° to 140°F)
	Included Rechargeable Battery:	600 mAh / >2000 Charge Cycles (80% of initial capacity)
Weight	4.7 oz. (solar version 5.1 oz)	
Enclosure Rating	NEMA 1, 2, 4, 4x, 12 and 13 rated, sealed & weather proof	
UL Rating	UL Listed to UL508-4x specifications (File E194432)	
Wireless Range	250 - 300 ft. (Through walls, ceilings and floors) Range may vary according to environmental variables	
Certifications	900 MHz product; FCC ID: ZTL- RFSC1 and IC: 9794A-RFSC1. 920 MHz product; ARIB STD-T108 R210-103733. 868 and 433 MHz product tested and found to comply with: CISPR 22:2008-09 / EN 55022:2010 - Class B and ETSI EN 300 220-2 V2.4.1 (2012-05).	



\* At temperatures above 100°C, it is possible for the board circuitry to lose programmed memory.

\*\* For optimal results calibrate in the immediate area in which the sensor will be used and based on magnetic North. Be aware that other magnetic / ferrous sources in the area can adversely affect readings. As the sensor rotates away from calibrated North and East headings the accuracy may drift.

### Solar Power Option

Monnit Industrial Sensors are powered by a replaceable 3.6V Lithium battery (included). An optional solar powered version is also available. The solar powered sensor uses a Lithium Iron Phosphate rechargeable battery in conjunction with a solar power cell to extend battery life.

## Notes

### Commercial Grade Sensors

IOT's commercial grade sensors are designed for applications in ordinary environments (normal room temperature, humidity and atmospheric pressure). Do not use these sensors under the following conditions as these factors can deteriorate the product characteristics and cause failures and burn-out.

- Corrosive gas or deoxidizing gas - chlorine gas, hydrogen sulfide gas, ammonia gas, sulfuric acid gas, nitric oxides gas, etc.).
- Volatile or flammable gas.
- Dusty conditions.
- Under low or high pressure.
- Wet or excessively humid locations.
- Places with salt water, oils chemical liquids or organic solvents.
- Where there are excessively strong vibrations.
- Other places where similar hazardous conditions exist.

Use these products within the specified temperature range. Higher temperature may cause deterioration of the characteristics or the material quality.

### Industrial Grade Sensors - Type 1, 2, 4, 4X, 12 and 13 NEMA Rated Enclosure

IOT's Industrial sensors are enclosed in reliable, weatherproof NEMA rated enclosures. Our NEMA rated enclosures are constructed for both indoor or outdoor use and protect the sensor circuitry against the ingress of solid foreign objects like dust as well as the damaging effects of water (rain, sleet, snow, splashing water, and hose directed water).

- Safe from falling dirt.
- Protects against wind-blown dust.
- Protects against rain, sleet, snow, splashing water, and hose directed water
- Increased level of corrosion resistance
- Will remain undamaged by ice formation on the enclosure

