



## Wireless High Temperature Sensors

### General Description

The Gen 3 Wireless High Temperature Sensor uses a glass coated platinum RTD sensor to accurately measure temperatures from -50°C to +370°C (-58°F to 700°F).

- Standard accuracy at 0°C: +/- 3.3°C
- Calibrated accuracy at 0°C: +/- 0.5°C
- RTD temperature range: -50°C to +370°C (-58°F to 700°F)

### Principle of Operation

The Gen 3 Wireless High Temperature Sensor outputs the ambient temperature in degrees Celsius or Fahrenheit. It is programmed to sleep for a user-given time interval (heartbeat) and then wakeup, power up the RTD sensor and wait for it to stabilize then mathematically compute the temperature and transmit the data to the gateway.

Industry leading 25 month NIST certified product included on leaded temperature sensors.

**!** The Gen3 High Temperature Sensor is not meant for wet, damp, high humidity environments. This sensor should only be operated in dry, low humidity environments. Should you need a temperature sensor that operates at extreme temperatures and can withstand getting wet or condensed on, please consider our Thermocouple Sensors.

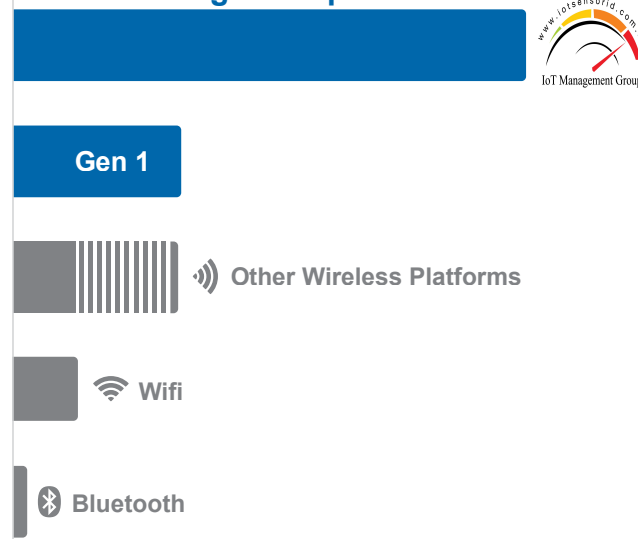
### Example Applications

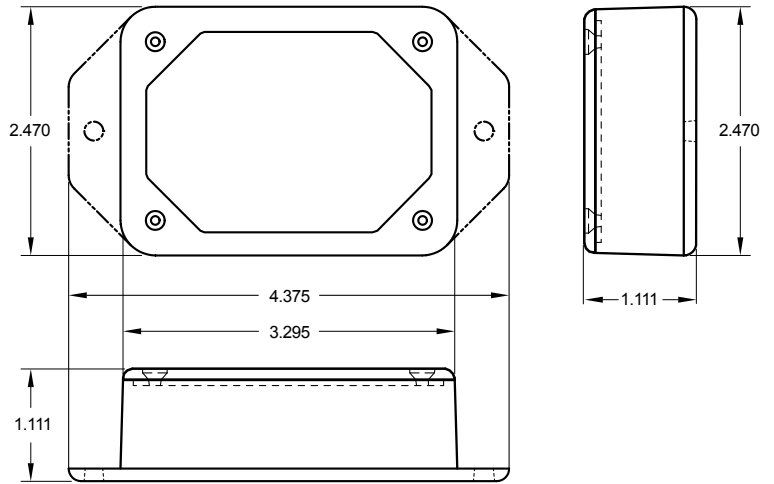
- Heaters & boilers
- Ovens & cooking devices
- Environmental monitoring
- Smart machines & smart structures
- HVAC operation & testing
- Many additional applications

### Features of IOT Sensor ID

- Wireless range of 1,200+ feet through 12+ walls \*
  - Frequency-Hopping Spread Spectrum (FHSS)
  - Improved interference immunity
  - Improved power management for longer battery life \*\* (12+ years on AA batteries)
  - Encrypt-RF® Security (Diffie-Hellman Key Exchange + AES-128 CBC for sensor data messages)
  - Datalogs 2000 to 4000 readings if gateway connection is lost (non-volatile flash, persists through the power cycle):
    - 10-minute heartbeats = ~ 22 days
    - 2-hour heartbeats = ~ 266 days
  - Over-the-air updates (future proof)
  - Free IOT Sensor ID online wireless sensor monitoring and notification system to configure sensors, view data and set alerts via SMS text and email
- \* Actual range may vary depending on environment.  
 \*\* Battery life is determined by sensor reporting frequency and other variables. Other power options are also available.

### Wireless Range Comparison





## ALTA Commercial AA Wireless High Temperature Sensor | Technical Specifications

|   |  |
|---|--|
| Supply voltage  | 2.0–3.8 VDC (3.0–3.8 VDC using power supply) *   |
| Current consumption   | 0.2 $\mu$ A (sleep mode), 0.7 $\mu$ A (RTC sleep), 570 $\mu$ A (MCU idle), 2.5 mA (MCU active), 5.5 mA (radio RX mode), 22.6 mA (radio TX mode)  |
| Operating temperature range (board circuitry and batteries) | -18°C to 55°C (0°F to 130°F) using alkaline<br>-40°C to 85°C (-40°F to 185°F) using lithium  |
| Optimal battery temperature range (AA)                      | +10°C to +50°C (+50°F to +122°F)   |
| RTD temperature range (RTD and cable only)                  | -50°C to +370°C (-58°F to +700°F)  |
| Accuracy @ 0°C  | +/- 3.3°C Standard (+/- 0.5°C Calibrated) **   |
| Dissipation constant  | 2mW/°C   |
| Thermal time constant                                       | 15 sec max   |
| Datalogging   | Datalogs 2000 to 4000 readings if gateway connection is lost (non-volatile flash, persists through the power cycle):<br>- 10-minute heartbeats = ~ 22 days<br>- 2-hour heartbeats = ~ 266 days   |
| Wireless range  | 1,200+ ft non-line-of-sight  |
| Security  | Encrypt-RF® (256-bit key exchange and AES-128 CTR)   |
| Weight  | 3.7 ounces   |
| Certifications  | <div style="display: flex; align-items: center; justify-content: center;"> </div> 900 MHz product; FCC ID: ZTL-G2SC1 and IC: 9794A-G2SC1. 868 and 433 MHz product tested and found to comply with: EN 300 220-2 V3.1.1 (2017-02), EN 300 220-2 V3.1.1 (2017-02) and EN 60950 |

\* Hardware cannot withstand negative voltage. Please take care when connecting a power device.

\*\* See RTD accuracy chart on last page.

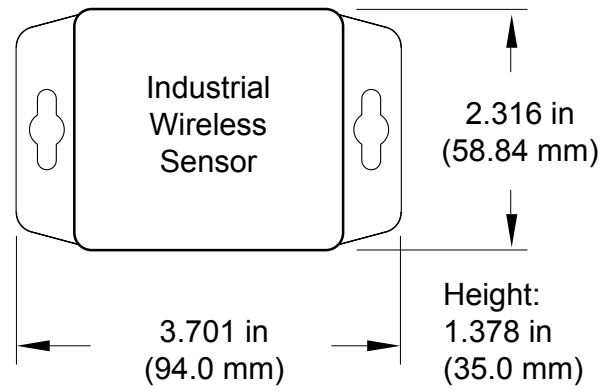
\*\*\* The ALTA High Temperature sensor is not meant for wet, damp, high humidity environments.

## Power Options



The standard version of this sensor is powered by two replaceable 1.5 V AA sized batteries (included with purchase).

This sensor is also available with a line power option. The line powered version of this sensor has a barrel power connector allowing it to be powered by a standard 3.0–3.6 V power supply. The line powered version also uses two standard 1.5 V AA batteries as backup for uninterrupted operation in the event of line power outage.

Power options must be selected at time of purchase, as the internal hardware of the sensor must be changed to support the selected power requirements.



### Gen 3 Industrial Wireless High Temperature Sensor | Technical Specifications+

|   |  |  |
|---|--|--|
| Supply voltage  | 2.0–3.8 VDC (3.0–3.8 VDC using power supply) *   |  |
| Current consumption                                       | 0.2 $\mu$ A (sleep mode), 0.7 $\mu$ A (RTC sleep), 570 $\mu$ A (MCU idle), 2.5 mA (MCU active), 5.5 mA (radio RX mode), 22.6 mA (radio TX mode)  |  |
| Operating temperature range (board circuitry and battery) | -40°C to +85°C (-40°F to +185°F)   |  |
| Included battery  | Max temperature range  | -40° to +85°C (-40° to +185°F)   |
|   | Capacity   | 1500 mAh   |
| Optional solar feature                                    | Solar panel  | 5VDC/30mA (53mm x 30mm)  |
|   | Charging temperature range   | 0° to 45°C (32° to 113°F)  |
|   | Max temperature range  | -20° to 60°C (-4° to 140°F)  |
|   | Included rechargeable battery  | 600 mAh/>2000 charge cycles (80% of initial capacity)  |
|   | Solar efficiency   | Optimized for high and low-light operation **  |
| RTD temperature range (RTD and cable only)                | -50°C to +370°C (-58°F to +700°F)  |  |
| Accuracy @ 0°C  | +/- 3.3°C Standard (+/- 0.5°C Calibrated) ***  |  |
| Dissipation constant                                      | 2mW/°C   |  |
| Thermal time constant                                     | 15 sec max   |  |
| Datalogging   | Datalogs 2000 to 4000 readings if gateway connection is lost (non-volatile flash, persists through the power cycle):<br>- 10-minute heartbeats = ~ 22 days<br>- 2-hour heartbeats = ~ 266 days |  |
| Wireless range  | 1,200+ ft non-line-of-sight  |  |
| Security  | Encrypt-RF® (256-bit key exchange and AES-128 CTR)   |  |
| Weight  | 4.7 ounces   |  |
| Enclosure rating  | NEMA 1, 2, 4, 4x, 12 and 13 rated, sealed and weather proof  |  |
| UL rating   | UL Listed to UL508-4x specifications (File E194432)  |  |
| Certifications  |                          | 900 MHz product; FCC ID: ZTL-G2SC1 and IC: 9794A-G2SC1. 868 and 433 MHz product tested and found to comply with: EN 300 220-2 V3.1.1 (2017-02), EN 300 220-2 V3.1.1 (2017-02) and EN 60950 |

\* Hardware cannot withstand negative voltage. Please take care when connecting a power device.

\*\* Light present 25% of day yields 125% of operating power to support 10-minute heartbeats.

\*\*\* See RTD accuracy chart on last page.

\*\*\*\* The ALTA Temperature sensor is not meant for wet, damp, high humidity environments.

| RTD Accuracy     |                |            |
|------------------|----------------|------------|
| Temperature (°C) | Accuracy (±°C) |            |
|                  | Uncalibrated   | Calibrated |
| - 50°C           | 3.55           | 0.75       |
| - 30°C           | 3.45           | 0.65       |
| - 10°C           | 3.35           | 0.55       |
| 0°C              | 3.30           | 0.50       |
| 10°C             | 3.35           | 0.55       |
| 30°C             | 3.45           | 0.65       |
| 50°C             | 3.55           | 0.75       |
| 70°C             | 3.65           | 0.85       |
| 90°C             | 3.75           | 0.95       |
| 110°C            | 3.85           | 1.05       |
| 130°C            | 3.95           | 1.15       |
| 150°C            | 4.05           | 1.25       |
| 170°C            | 4.15           | 1.35       |
| 190°C            | 4.25           | 1.45       |
| 210°C            | 4.35           | 1.55       |
| 230°C            | 4.45           | 1.65       |
| 250°C            | 4.55           | 1.75       |
| 270°C            | 4.65           | 1.85       |
| 290°C            | 4.75           | 1.95       |
| 310°C            | 4.85           | 2.05       |
| 330°C            | 4.95           | 2.15       |
| 350°C            | 5.05           | 2.25       |
| 370°C            | 5.15           | 2.35       |

## Commercial Grade Sensors

IOT Sensor ID commercial grade sensors are designed for applications in ordinary environments (normal room temperature, humidity and atmospheric pressure). Do not use these sensors under the following conditions as these factors can deteriorate the product characteristics and cause failures and burnout.

- Corrosive gas or deoxidizing gas: chlorine gas, hydrogen sulfide gas, ammonia gas, sulfuric acid gas, nitric oxides gas, etc.
- Volatile or flammable gas
- Dusty conditions
- Low-pressure or high-pressure environments
- Wet or excessively humid locations
- Places with salt water, oils chemical liquids or organic solvents
- Where there are excessively strong vibrations
- Other places where similar hazardous conditions exist

Use these products within the specified temperature range. Higher temperature may cause deterioration of the characteristics or the material quality.

## Industrial Grade Sensors | Type 1, 2, 4, 4X, 12 and 13 NEMA Rated Enclosure

IOT's Industrial sensors are enclosed in reliable, weatherproof NEMA-rated enclosures. Our NEMA-rated enclosures are constructed for both indoor or outdoor use and protect the sensor circuitry against the ingress of solid foreign objects like dust as well as the damaging effects of water (rain, sleet, snow, splashing water, and hose-directed water).

- Safe from falling dirt
- Protects against wind-blown dust
- Protects against rain, sleet, snow, splashing water, and hose-directed water
- Increased level of corrosion resistance
- Will remain undamaged by ice formation on the enclosure



IoT Management Group

6A Gibberd Road  
Balcatta WA 6021  
1300 131776